

CFM
FORGING
PRESS

X KURIMOTO, LTD.



"Performance", "Quality", "Reasonable-Price" and "Maintenance-Ability"- These are the key words for our attitude and never be neglected since we have started the first production of forging press with future-prospect. KURIMOTO is challenging to new possibilities of creating "Forging" for better tomorrow, by mobilizing higher technology and development ability. We will continue to endeavor, day after day, to manufacture forging presses that meet the demand of era and the needs of the customers. Now we are proud to offer you CFM series with a concept of, "What is the demand for manual operation press today?" keeping our basic stance as a market leader.

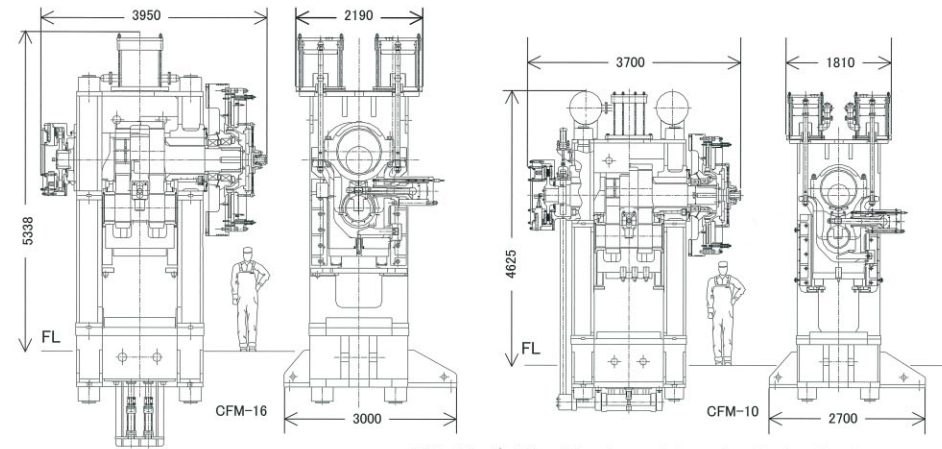
To respond to demand for highly automated machine, we offer **C2F Series**.

CFM Series

pursuing functions of manually-operated machine with good cost performance and rationalization.

We strive for even further development by assorting these two types of forging presses to make our customers satisfy ever than before.

Specifications of CFM Forging Press



※Machine height will be changed depend on the floor level.

CFM-10, 16 (Basic Specification)

Items	Model	CFM-10	CFM-16
Capacity	(MN)	10	16
Strokes	(mm)	220	280
No. of strokes	(rpm)	70	70
Slide Adjust	(mm)	6	6
Die Height	(mm)	895	1050
Bed area	(mm x mm)	1100×1000	1240×1140
Slide area	(mm x mm)	900×880	920×920
Distance between column	(mm)	1200	1300
Upper Knock-out			**
Gas-cushion type	Each: (KN x mm)	15×40	-
Mechanical type	Total: (KN x mm)	50×40	100×40
Lower Knock-out	(KN x mm)	150×40	300×40
Main motor	(kw)	55	75

* In case standard size of adaptor and bolster plates are attached, the die height will be shown hereunder;
CFM-10 / 680mm CFM-16 / 760mm

** Upper Knock-out for CFM-10 can be chosen either gas cushion or mechanical type.

*** Lower Knock-out for CFM-10 can be chosen either mechanical or hydraulic type.

Options

Attached to Press body:

- Loadmeter w/over load sensor
- Thermometer for journals & con-rods w/an alarm
- Adaptor plate
- Bolster plate

Peripheral Devices:

- Semi-automation devices (i.e. Manipulator)
- Die lubrication system
- Die holders
- Others



KURIMOTO, LTD.

Headquarters(Osaka) : 12-19, Kitahorie 1-chome, Nishi-ku, Osaka 550-8580, Japan
Tel: +81-6-6538-7676 Fax: +81-6-6538-7969

Tokyo Office : 1-9, Shimbashi 4-chome, Minato-ku, Tokyo 105-0004, Japan
Tel: +81-3-3436-8217 Fax: +81-3-3436-8027

Nagoya Office : 27-2, Meiekiminami 1-chome, Nakamura-ku, Nagoya 450-0003, Japan
Tel: +81-52-551-6925 Fax: +81-52-551-6940

<http://www.kurimoto.co.jp/english/index.htm>

1. Size and weight of the machines on this catalogue are only estimated values for the reference purpose.
2. All items on this catalogue are subject to change without notice.
3. This catalogue was printed in September, 2009.